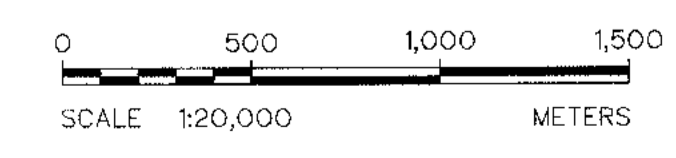


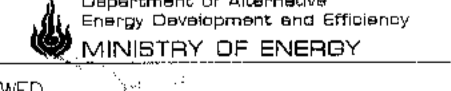

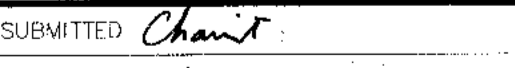

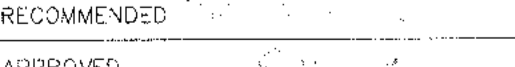



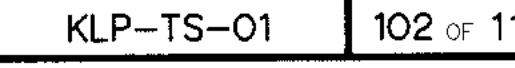


PROJECT AREA MAP
SCALE 1:20,000

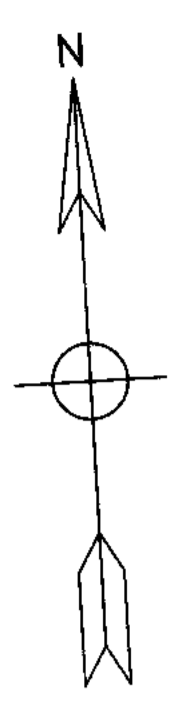
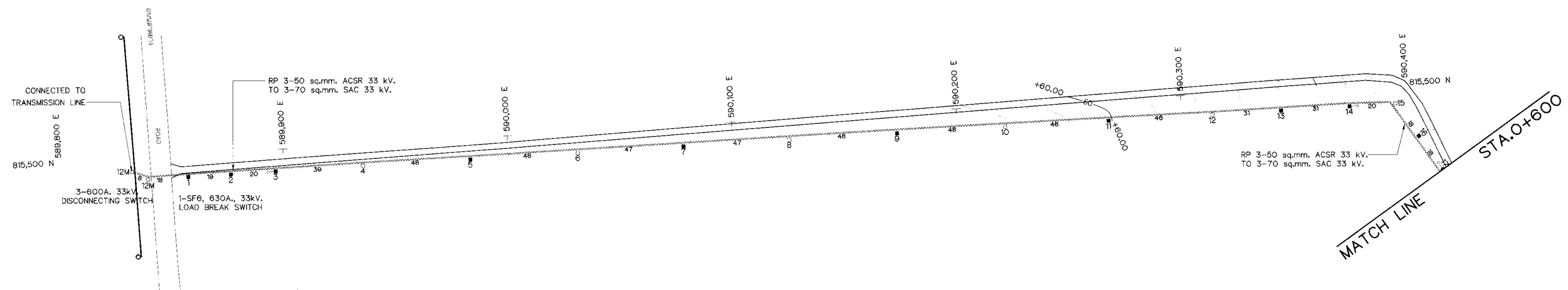


- NOTES :
1. ALL DIMENSIONS AND ELEVATIONS (M.S.L.) ARE IN METERS, UNLESS OTHERWISE SHOWN
 2. THE POLE OF TRANSMISSION LINE IS PRESTRESSED CONCRETE WITH 12.00 METERS HIGH

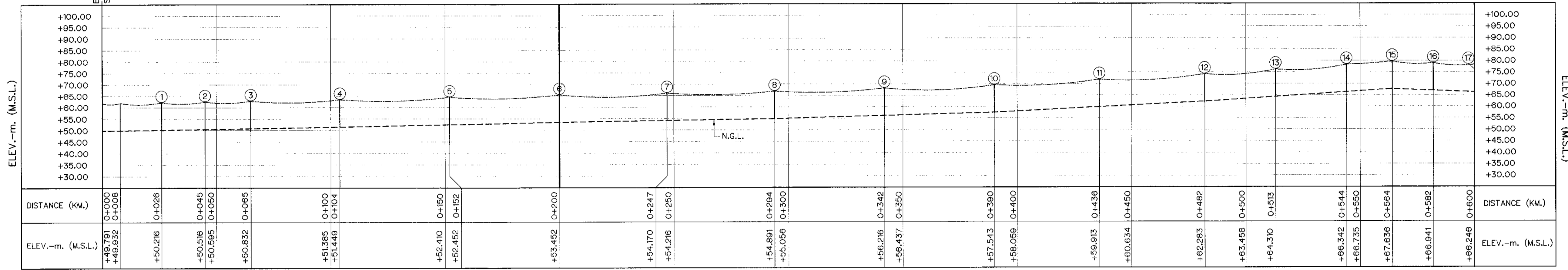
- LEGENDS :
- STREAM
 - WEIR
 - HEADRACE
 - SURGE TANK
 - PENSTOCK
 - POWERHOUSE
 - ACCESS ROAD
 - TRANSMISSION LINE

 KINGDOM OF THAILAND Department of Alternative Energy Development and Efficiency MINISTRY OF ENERGY	
KLONG LAM PLOK HYDROPOWER PROJECT	
CIVIL WORKS AND TRANSMISSION LINE TRANSMISSION LINE GENERAL PLAN	
 P&C MANAGEMENT CO., LTD.	 DEPARTMENT OF ALTERNATIVE ENERGY DEVELOPMENT AND EFFICIENCY MINISTRY OF ENERGY
DESIGNED  ๑๗.๖๐4	REVIEWED 
DRAWN 	SUBMITTED 
CHECKED  ๑๗.๖๐4	RECOMMENDED 
 PROJECT MANAGER	APPROVED 
CONSULTANT'S	DEED
DRAWING NO. KLP-TS-01	SHEET NO. 102 OF 110

3					
2					
1					
NO.	DATE	REVISIONS	CHECKED	APPROVED	



PLAN
SCALE 1:1,000



PROFILE

HORIZONTAL SCALE 1:1,000
VERTICAL SCALE 1:1,000

TRANSMISSION LINE PROPERTIES

POLE NO.	DISTANCE (M.)	ACCUMULATIVE DISTANCE (M.)	QUANTITY											
			POLE TYPE					GUY TYPE						
			A	B	C	D	E	G1	G2	G3	G4	G5	G6	
PEA. POLE 1	0	0												
PEA. POLE 2	8	8												
1	18	26					1							
2	19	45		1				1						
3	20	65			1						1			
4	39	104	1											
5	48	152	1											
6	48	200	1											
7	47	247	1											
8	47	294	1											
9	48	342	1											
10	48	390	1											
11	46	436	1											
12	46	482	1											
13	31	513	1											
14	31	544			1						1			
15	20	564				1						1		
16	18	582		1				1						
17	18	600			1						1			

NOTES:

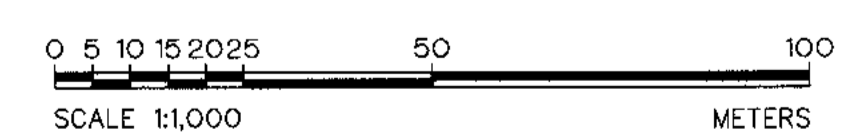
- ALL DIMENSIONS AND ELEVATIONS (M.S.L.) ARE IN METERS, UNLESS OTHERWISE SHOWN
- SYMBOLS, ABBREVIATIONS AND GENERAL NOTES SEE DWG. NO. KLP-GN-03
- THIS DRAWING IS DESIGNED FOR GUIDE LINE ONLY. THE CONSTRUCTION DRAWING SHALL CONFORM TO PEA'S STANDARD AND REGULATIONS.

LEGENDS :

- 33 kV. SPACE AERIAL CABLE
- EXISTING 33 kV. PEA. OVERHEAD TRANSMISSION LINE
- NEW 12M. CONCRETE POLE
- EXISTING 12M. CONCRETE POLE
- REMOVE 12M. CONCRETE POLE
- 3 - 100A. FUSE CUTOFF 33 kV.
- GUY
- LOAD BREAK SWITCH, SF6, 630A, 33KV. WITH AUTOMATIC REMOTE CONTROLLED
- DISCONNECTING SWITCH 600A, 33KV.

REFERENCE DRAWINGS :

- TRANSMISSION LINE, PLAN AND PROFILE, STA. 0+600 TO STA. 1+200 KLP-TS-03
- TRANSMISSION LINE, POLE TYPE "A" AND "B" KLP-TS-05
- TRANSMISSION LINE, POLE TYPE "C" AND "D" KLP-TS-06
- TRANSMISSION LINE, POLE TYPE "E" KLP-TS-07
- TRANSMISSION LINE, POLE TYPE "F" AND "G" KLP-TS-08
- TRANSMISSION LINE, TYPE OF ANCHOR GUY KLP-TS-09

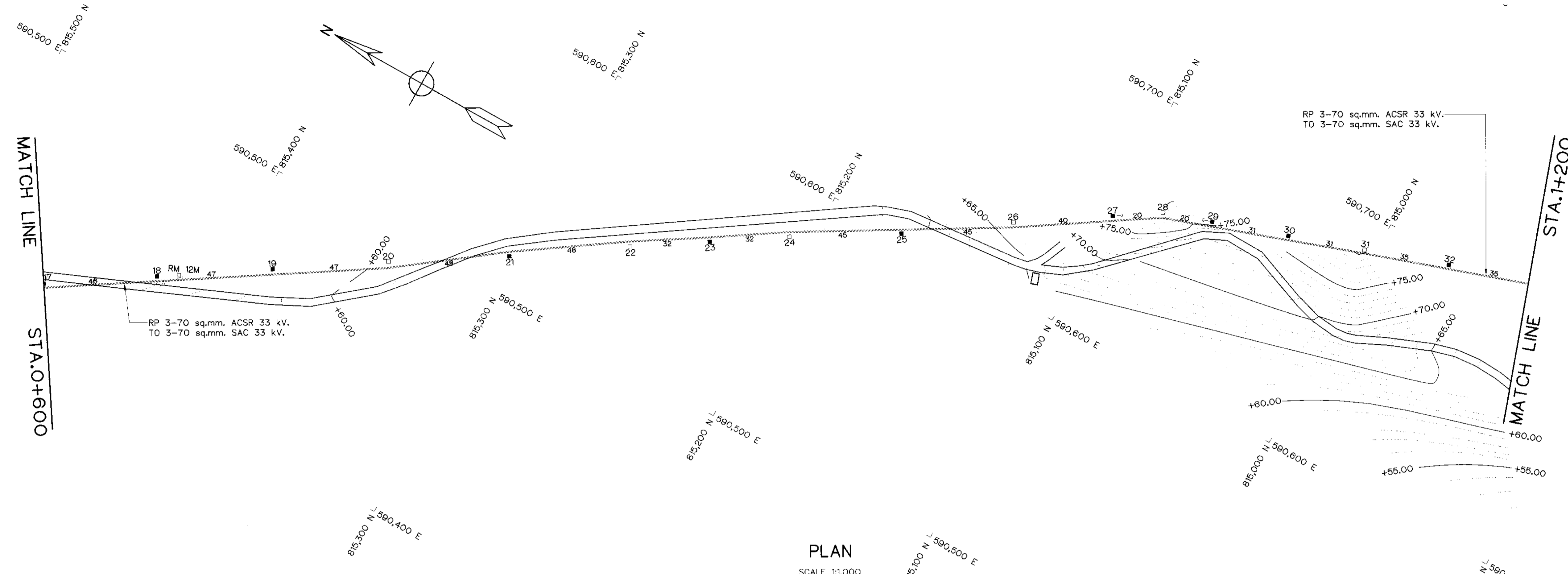


KINGDOM OF THAILAND
Department of Alternative Energy Development and Efficiency
MINISTRY OF ENERGY

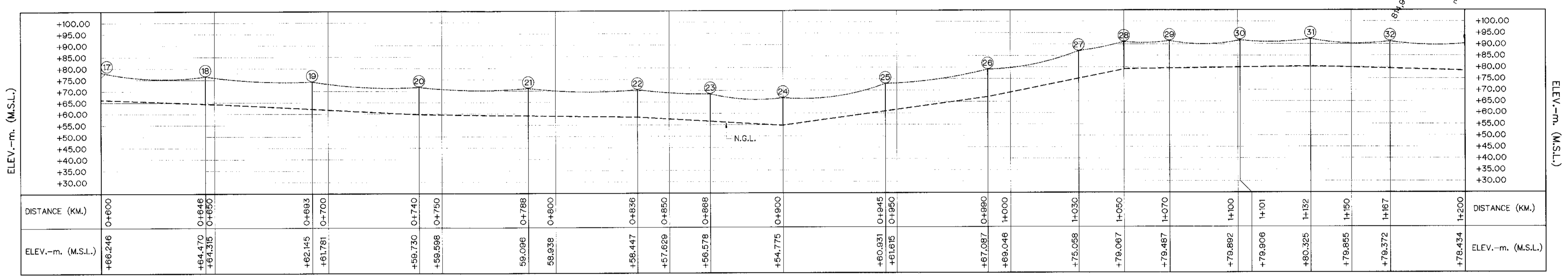
KLONG LAM PLOK HYDROPOWER PROJECT

CIVIL WORKS AND TRANSMISSION LINE
TRANSMISSION LINE
PLAN AND PROFILE, STA. 0+000 TO 0+600

P&C MANAGEMENT CO., LTD.	Department of Alternative Energy Development and Efficiency MINISTRY OF ENERGY
DESIGNED: [Signature]	REVIEWED: [Signature]
DRAWN: [Signature]	SUBMITTED: [Signature]
CHECKED: [Signature]	APPROVED: [Signature]
NO. DATE REVISIONS CHECKED APPROVED	DRAWING NO. SHEET NO.
CONSULTANTS DEDE	PROJECT MANAGER DATE KLP-TS-02 103 OF 110



PLAN
SCALE 1:1,000



PROFILE
HORIZONTAL SCALE 1:1,000
VERTICAL SCALE 1:1,000

TRANSMISSION LINE PROPERTIES

POLE NO.	DISTANCE (M.)	ACCUMULATIVE DISTANCE (M.)	QUANTITY																	
			POLE TYPE					GUY TYPE												
			A	B	C	D	E	G1	G2	G3	G4	G5	G6							
17	18	600			1										1					
18	46	646	1																	
19	47	693	1																	
20	47	740		1						1										
21	48	788		1						1										
22	48	836	1																	
23	32	868	1																	
24	32	900		1						1										
25	45	945	1																	
26	45	990		1						1										
27	40	1,030				1									1					
28	20	1,050		1						1										
29	20	1,070				1									1					
30	31	1,101	1																	
31	31	1,132	1																	
32	35	1,167	1																	
33	35	1,202	1																	

NOTES:

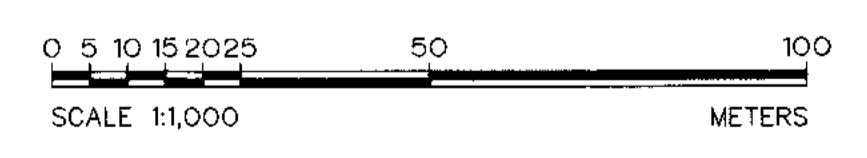
- ALL DIMENSIONS AND ELEVATIONS (M.S.L.) ARE IN METERS, UNLESS OTHERWISE SHOWN
- SYMBOLS, ABBREVIATIONS AND GENERAL NOTES SEE DWG. NO. KLP-GN-03
- THIS DRAWING IS DESIGNED FOR GUIDE LINE ONLY, THE CONSTRUCTION DRAWING SHALL CONFORM TO PEA'S STANDARD AND REGULATIONS.

LEGENDS :

- 33 kv. SPACE AERIAL CABLE
- EXISTING 33 kv. PEA. OVERHEAD TRANSMISSION LINE
- NEW 12M. CONCRETE POLE
- EXISTING 12M. CONCRETE POLE
- REMOVE 12M. CONCRETE POLE
- 3 - 100A. FUSE CUTOUT 33 kv.
- GUY
- LOAD BREAK SWITCH, SF6, 630A, 33KV. WITH AUTOMATIC REMOTE CONTROLLED
- DISCONNECTING SWITCH 600A, 33KV.

REFERENCE DRAWINGS :

- TRANSMISSION LINE, PLAN AND PROFILE, STA. 0+000 TO STA. 0+600 KLP-TS-02
- TRANSMISSION LINE, PLAN AND PROFILE, STA. 1+200 TO STA. 1+366 KLP-TS-04
- TRANSMISSION LINE, POLE TYPE "A" AND "B" KLP-TS-05
- TRANSMISSION LINE, POLE TYPE "C" AND "D" KLP-TS-06
- TRANSMISSION LINE, POLE TYPE "E" KLP-TS-07
- TRANSMISSION LINE, POLE TYPE "F" AND "G" KLP-TS-08
- TRANSMISSION LINE, TYPE OF ANCHOR GUY KLP-TS-09



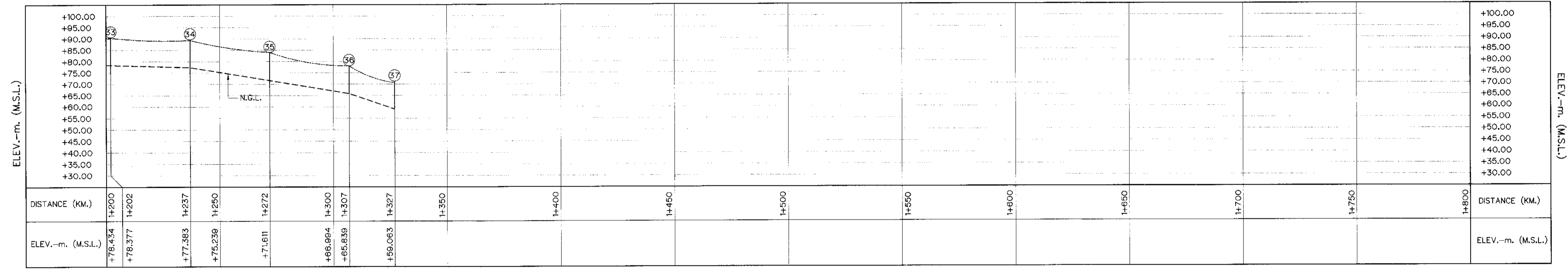
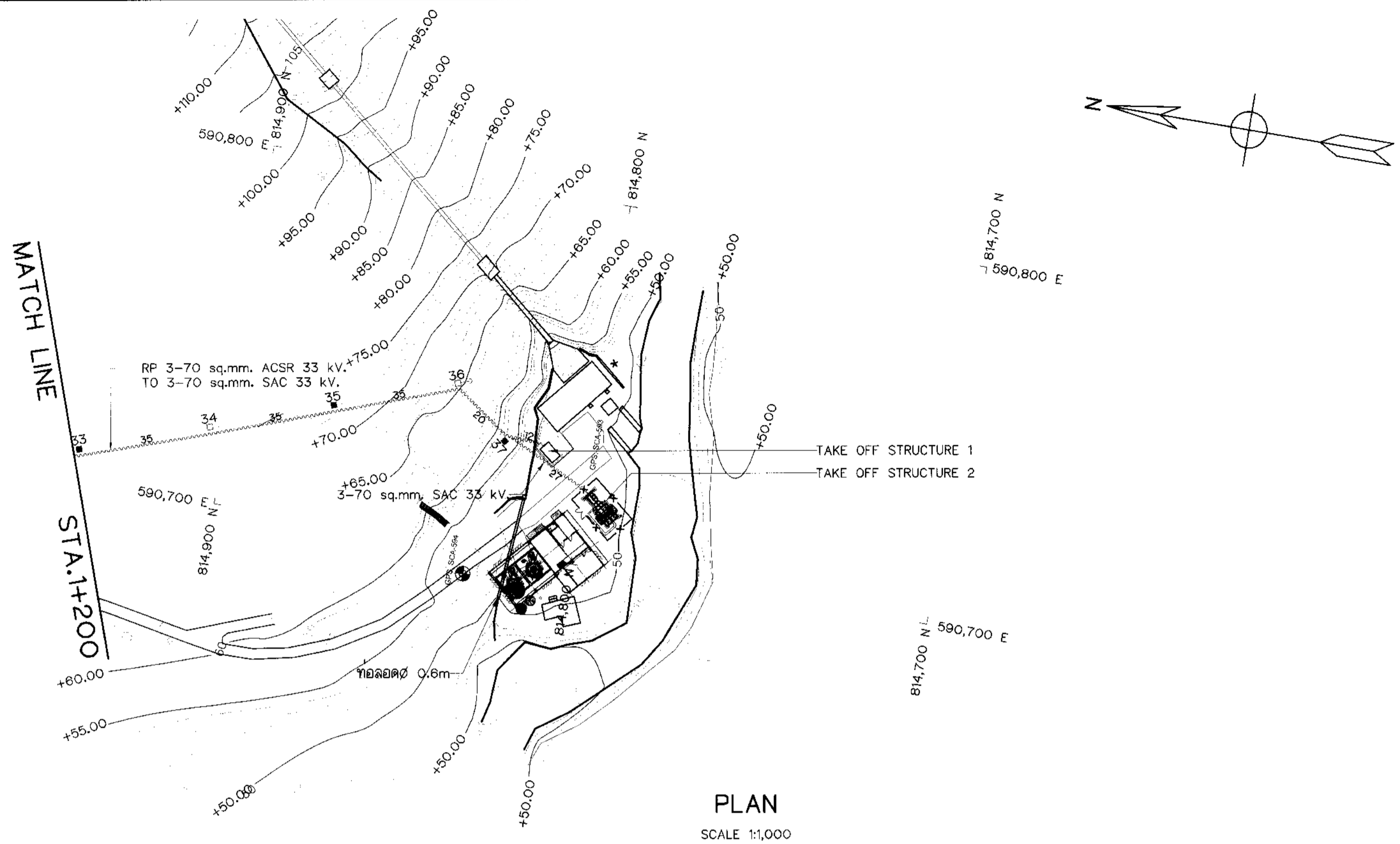
KINGDOM OF THAILAND
Department of Alternative Energy Development and Efficiency
MINISTRY OF ENERGY

KLONG LAM PLOK HYDROPOWER PROJECT

CIVIL WORKS AND TRANSMISSION LINE
TRANSMISSION LINE
PLAN AND PROFILE, STA. 0+600 TO 1+200

P&C MANAGEMENT CO., LTD.		Department of Alternative Energy Development and Efficiency MINISTRY OF ENERGY	
DESIGNED	05	REVIEWED	AS
DRAWN	9m	SUBMITTED	Chant
CHECKED	05	RECOMMENDED	
NO.	DATE	REVISIONS	CHECKED
CONSULTANTS		DEDE	
PROJECT MANAGER		DATE	APPROVED

SHEET NO. 104 OF 110



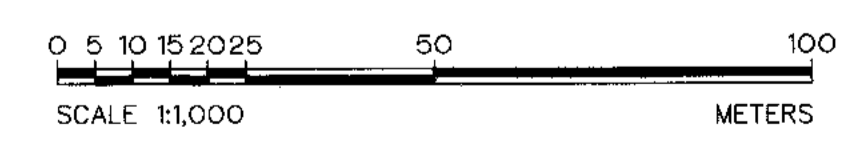
- REFERENCE DRAWINGS :
1. TRANSMISSION LINE, PLAN AND PROFILE, STA. 0+600 TO STA. 1+200 KLP-TS-03
 2. TRANSMISSION LINE, POLE TYPE "A" AND "B" KLP-TS-05
 3. TRANSMISSION LINE, POLE TYPE "C" AND "D" KLP-TS-06
 4. TRANSMISSION LINE, POLE TYPE "E" KLP-TS-07
 5. TRANSMISSION LINE, POLE TYPE "F" AND "G" KLP-TS-08
 6. TRANSMISSION LINE, TYPE OF ANCHOR GUY KLP-TS-09

- NOTES:
1. ALL DIMENSIONS AND ELEVATIONS (M.S.L.) ARE IN METERS, UNLESS OTHERWISE SHOWN
 2. SYMBOLS, ABBREVIATIONS AND GENERAL NOTES SEE DWG. NO. KLP-GN-03
 3. THIS DRAWING IS DESIGNED FOR GUIDE LINE ONLY, THE CONSTRUCTION DRAWING SHALL CONFORM TO PEA'S STANDARD AND REGULATIONS.

TRANSMISSION LINE PROPERTIES

POLE NO.	DISTANCE (M.)	ACCUMULATIVE DISTANCE (M.)	QUANTITY														
			POLE TYPE					GUY TYPE									
			A	B	C	D	E	G1	G2	G3	G4	G5	G6				
33	35	1,202	1														
34	35	1,237	1														
35	35	1,272	1														
36	35	1,307					1								1		
37	20	1,327					1								1		
TAKE OFF STRUCTURE 1	12	1,339															
TAKE OFF STRUCTURE 2	27	1,366															
TOTAL		1,366	21	7	5	3	1	7	-	-	5	3	-				

- LEGENDS :
1. 33 kV. SPACE AERIAL CABLE
 2. EXISTING 33 kV. PEA. OVERHEAD TRANSMISSION LINE
 3. NEW 12M. CONCRETE POLE
 4. EXISTING 12M. CONCRETE POLE
 5. REMOVE 12M. CONCRETE POLE
 6. 3 - 100A. FUSE COUTOUT 33 kV.
 7. GUY
 8. LOAD BREAK SWITCH, 9F6, 630A, 33KV. WITH AUTOMATIC REMOTE CONTROLLED
 9. DISCONNECTING SWITCH 600A, 33KV.



NO.	DATE	REVISIONS	CHECKED	APPROVED
3				
2				
1				

KINGDOM OF THAILAND
Department of Alternative Energy Development and Efficiency
MINISTRY OF ENERGY

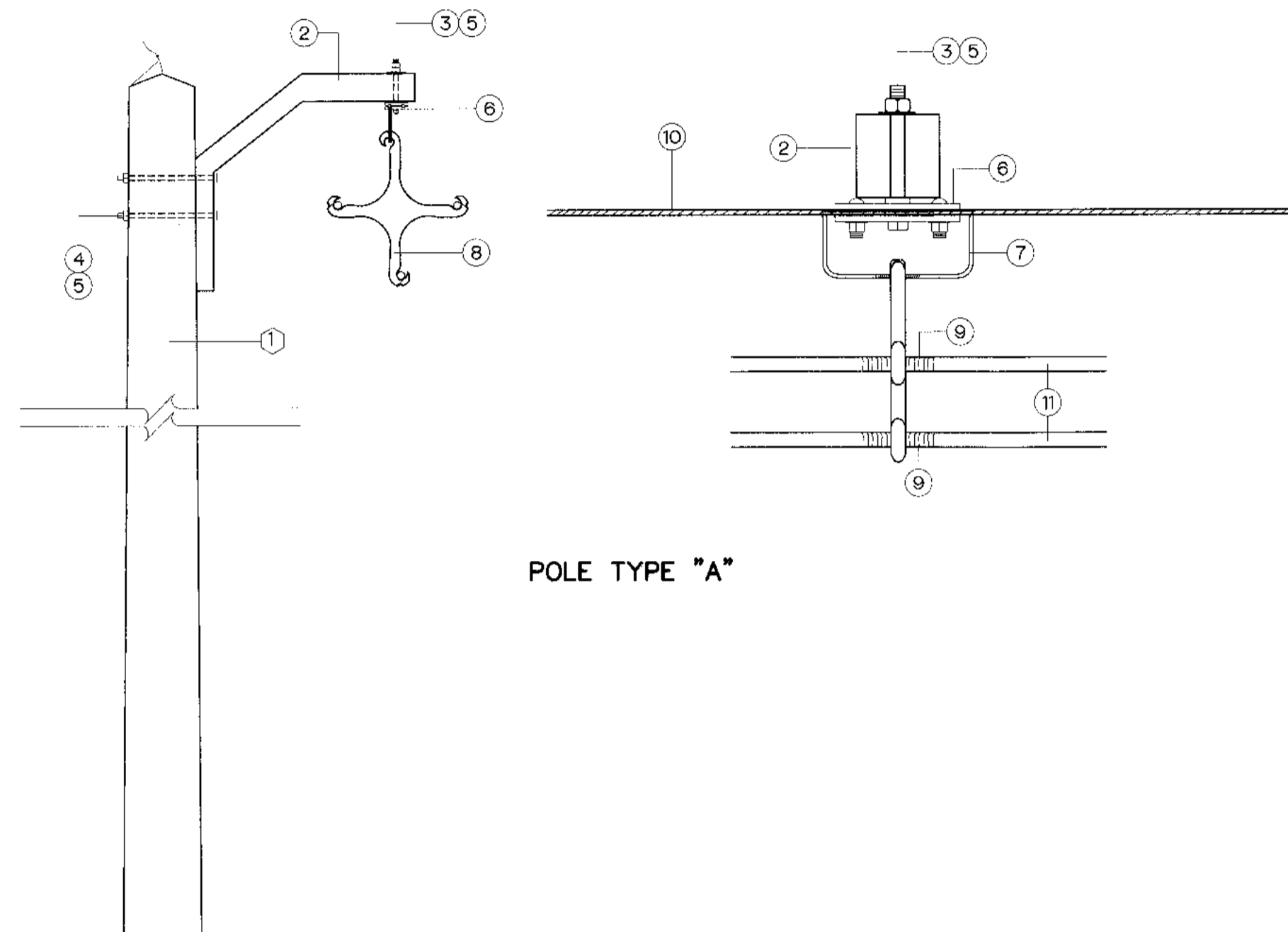
KLONG LAM PLOK HYDROPOWER PROJECT

CIVIL WORKS AND TRANSMISSION LINE
TRANSMISSION LINE
PLAN AND PROFILE, STA. 1+200 TO 1+366

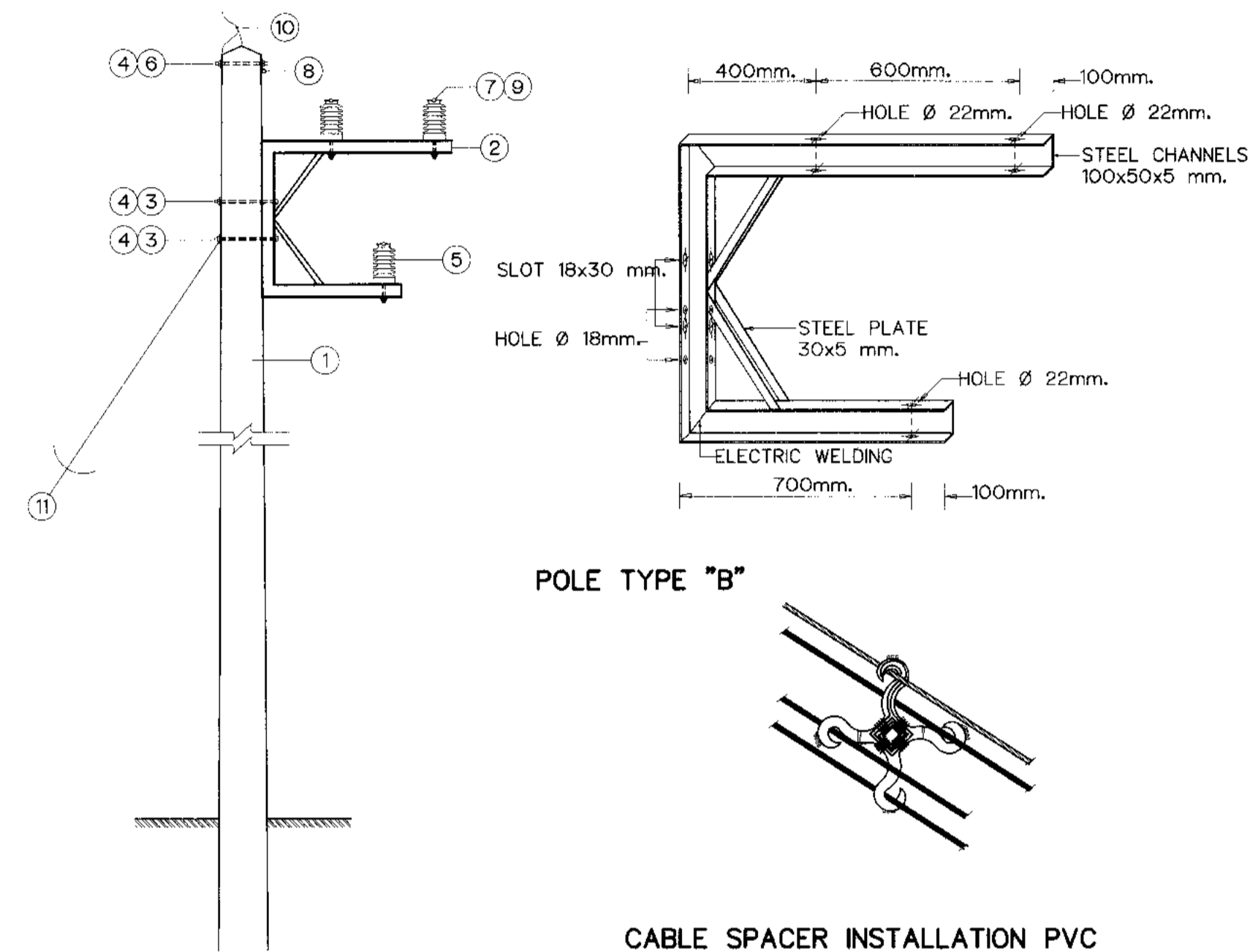
DESIGNED: *[Signature]* 08/03/2558
DRAWN: *[Signature]*
CHECKED: *[Signature]*
PROJECT MANAGER: *[Signature]*

REVIEWED: *[Signature]*
SUBMITTED: *[Signature]*
RECOMMENDED: *[Signature]*
APPROVED: *[Signature]*

DRAWING NO. KLP-TS-04
SHEET NO. 105 OF 110



POLE TYPE "A"



POLE TYPE "B"

CABLE SPACER INSTALLATION PVC

BILL OF MATERIAL POLE TYPE "A"

ITEM	DESCRIPTION
1	POLE CONCRETE 12 M. LONG
2	BRACKET AERIAL CABLE FOR STRAIGHT TYPE
3	BOLT MACHINE M16x170 mm.
4	BOLT MACHINE M16x250 mm.
5	WASHER SQUARE FLAT 52x52x4.5 mm. HOLE Dia.18 mm. TIS 258
6	CLAMP GUY TRIPLE BOLT
7	LINK CABLE SPACER (MADE OF GALV. STEEL Dia. 9 mm.)
8	CABLE SPEACER 33 KV.
9	TIE WIRE 4.0 sq.mm.
10	WIRE STEEL STRANDED 50/7 DIN 48201
11	AERIAL CABLE 70 sq.mm. 35 KV.

BILL OF MATERIAL POLE TYPE "B"

ITEM	DESCRIPTION
1	POLE CONCRETE 12 M. LONG
2	BRACKET AERIAL CABLE FOR CORNER TYPE
3	BOLT MACHINE M16x350 mm.
4	WASHER SQUARE FLAT 52x52x4.5 mm. HOLE Dia. 18 mm. TIS 258
5	INSULATOR LINE POST TYPE ANSI C 29.7 CLASS 57-3L
6	GROUND WIRE SUPPORT AND CLAMP FOR CONCRETE POLE
7	AERIAL CABLE 70 sq.mm. 35 kV.
8	GROUND WIRE SUPPORT AND STEEL STRANDED 50/7 DIN 48201
9	TIE WIRE 4.0 sq.mm.
10	CLAMP SINGLE U-BOLT M8
11	GUY (STEEL STARNDARD WIRE 95 Sq.mm.)

NOTES :

1. THIS DRAWING IS DESIGNED FOR GUIDE LINE ONLY, THE CONSTRUCTION DRAWING SHALL CONFORM TO PEA'S STANDARD AND REGULATIONS.

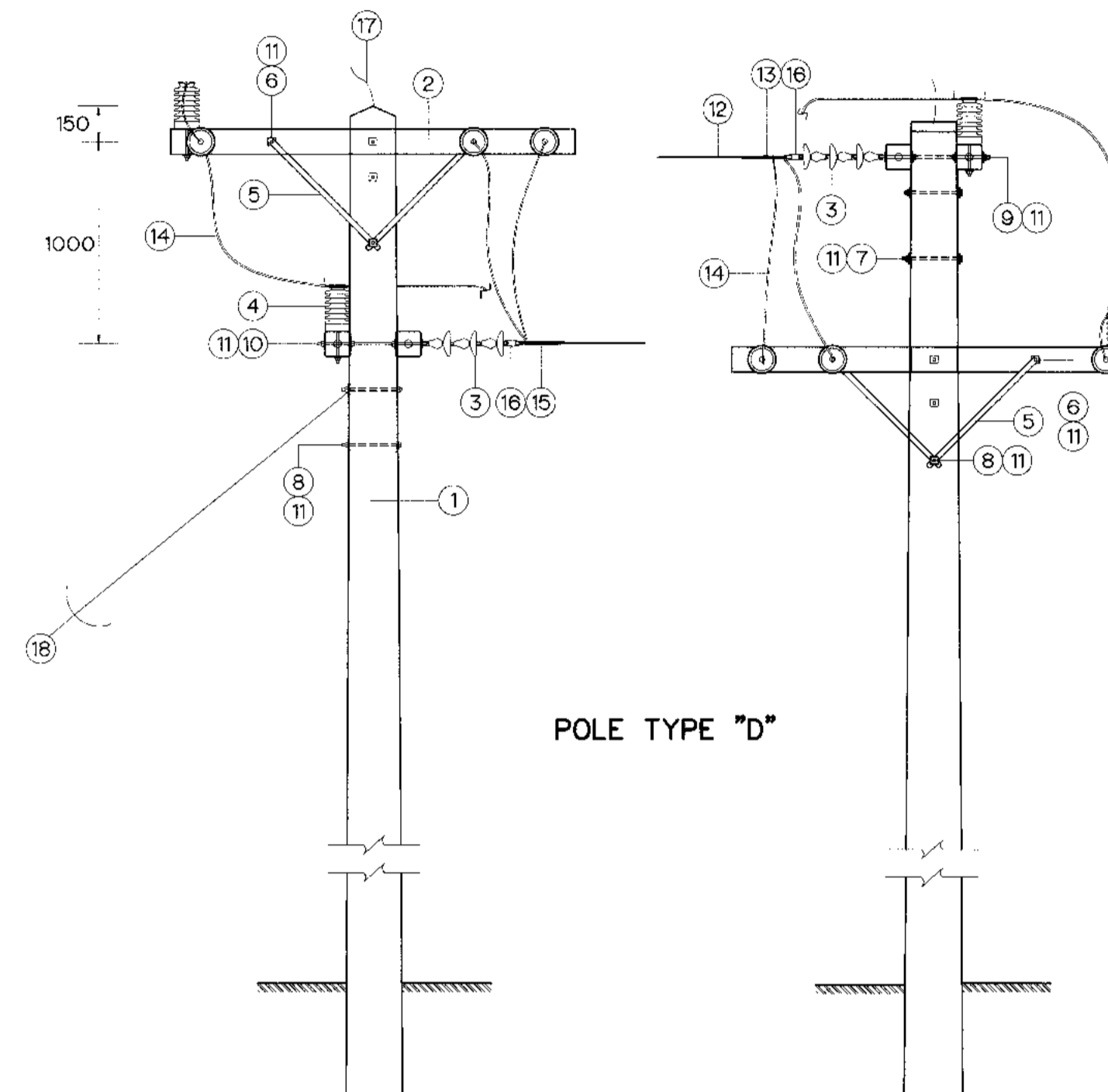
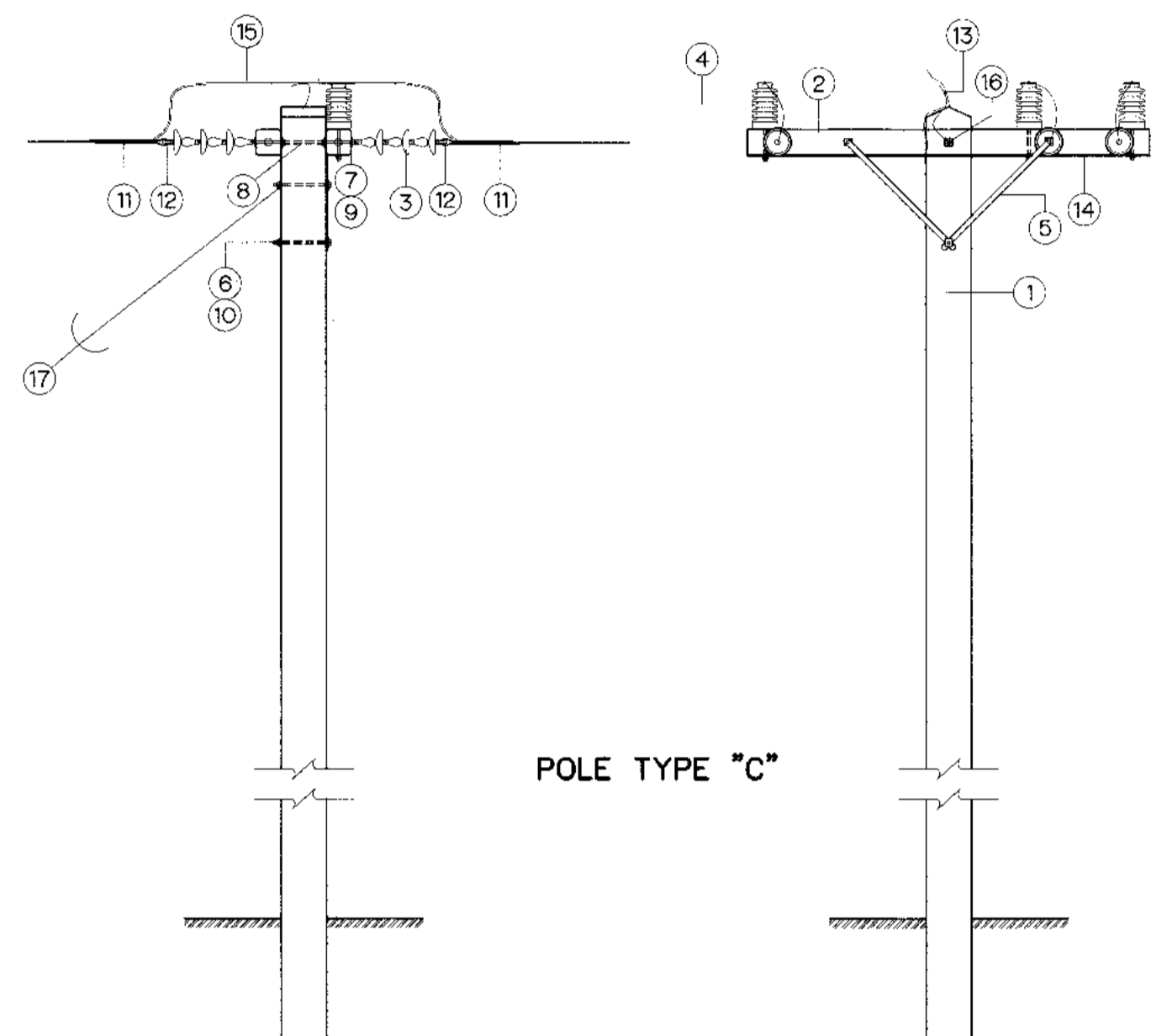
KINGDOM OF THAILAND
Department of Alternative
Energy Development and Efficiency
MINISTRY OF ENERGY

KLONG LAM PLOK HYDROPOWER PROJECT

CIVIL WORKS AND TRANSMISSION LINE
TRANSMISSION LINE
POLE TYPE "A" AND "B"

 P&C MANAGEMENT CO.,LTD.	 DEPARTMENT OF ALTERNATIVE ENERGY DEVELOPMENT AND EFFICIENCY MINISTRY OF ENERGY
DESIGNED <i>[Signature]</i> 27/01/604	REVIEWED <i>[Signature]</i>
DRAWN <i>[Signature]</i>	RECOMMENDED <i>[Signature]</i>
CHECKED <i>[Signature]</i> 27/01/604	APPROVED <i>[Signature]</i>
PROJECT MANAGER <i>[Signature]</i> 08/03/2559	DRAWING NO. KLP-TS-05
DATE	SHEET NO. 106 OF 110

NO.	DATE	REVISIONS	CHECKED	APPROVED
3				
2				
1				



BILL OF MATERIAL POLE TYPE "C"	
ITEM	DESCRIPTION
1	POLE CONCRETE 12.0 M. LONG
2	CROSSARM,SPUN PRESTERSED CONCRETE,120X120X2,000mm.
3	INSULATOR,SUSPENSION TYPE,TIS 354, TYPE A (CLASS 52-3)
4	INSULATOR,LINE POST TYPE,ANSI C 29.7 CLASS 57-3L
5	BRACE,FLAT,FOR CROSSARM,30X6X760mm.
6	BOLT,MACHINE, M16X170mm.
7	BOLT,MACHINE, M16X200mm.
8	BOLT,DOUBLE ARMING,ROUND EYE, M16X450mm.
9	NUT, EYE, M16, DIN 582
10	WASHER,SQUARE,FLAT,52X52X4.5mm,HOLE Dia.18mm,TIS 258
11	PREFORMED DEAD-END FOR AERIAL CABLE 50sq.mm.
12	CLEVIS,THIMBLE,FOR PREFORM DEAD-END
13	CLAMP,SINGLE U-BOLT,M8
14	WIRE STEEL SOLID Dia.4mm.
15	AERIAL CABLE 70sq.mm. 35kV.
16	WIRE STEEL STRANDED 50/7 DIN 48201
17	GUY (STEEL STARNDARD WIRE 95 Sq.mm.)

BILL OF MATERIAL POLE TYPE "D"	
ITEM	DESCRIPTION
1	POLE CONCRETE 12 M. LONG
2	CROSSARM SPUN PRESTERSED CONCRETE 120x120x2,000 mm.
3	INSULATOR SUSPENSION TYPE TIS 354 TYPE A (CLASS 52-3)
4	INSULATOR LINE POST TYPE ANSI C 29.7 CLASS 57-3L
5	BRACE FLAT FOR CROSSARM 30x6x760 mm.
6	BOLT MACHINE M16x170 mm.
7	BOLT MACHINE M16x200 mm.
8	BOLT MACHINE M16x250 mm.
9	BOLT DOUBLE ARMING ROUND EYE M16x450 mm.
10	BOLT DOUBLE ARMING ROUND EYE M16x500 mm.
11	WASHER SQUARE FLAT 52x52x4.5 mm. HOLE Dia.18 mm. TIS 258
12	AERIAL CABLE 70 sq.mm. 35 kV.
13	PERFOR DEAD-END FOR AERIAL CABLE 50 sq.mm.
14	AERIAL CABLE 70 sq.mm. 35 kV.
15	PERFOR DEAD-END FOR AERIAL CABLE 60 sq.mm.
16	CLEVIS THIMBLE FOR PERFORMED DEAD-END
17	CLAMP SINGLE U-BOLT M 8
18	GUY (STEEL STARNDARD WIRE 95 Sq.mm.)

NOTES :

1. THIS DRAWING IS DESIGNED FOR GUIDE LINE ONLY, THE CONSTRUCTION DRAWING SHALL CONFORM TO PEA'S STANDARD AND REGULATIONS.

KINGDOM OF THAILAND
Department of Alternative
Energy Development and Efficiency
MINISTRY OF ENERGY

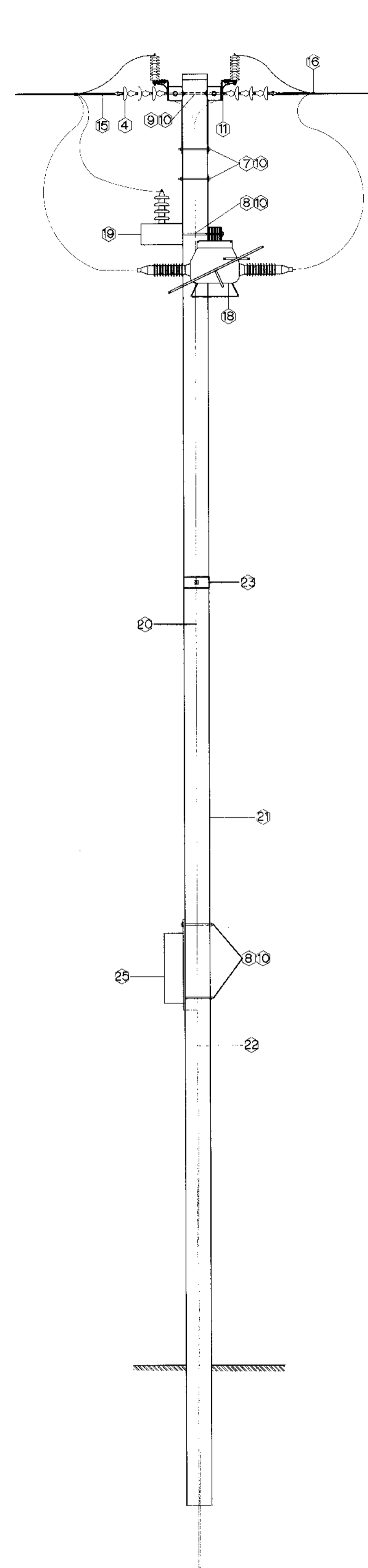
KLONG LAM PLOK HYDROPOWER PROJECT

CIVIL WORKS AND TRANSMISSION LINE

TRANSMISSION LINE
POLE TYPE "C" AND "D"

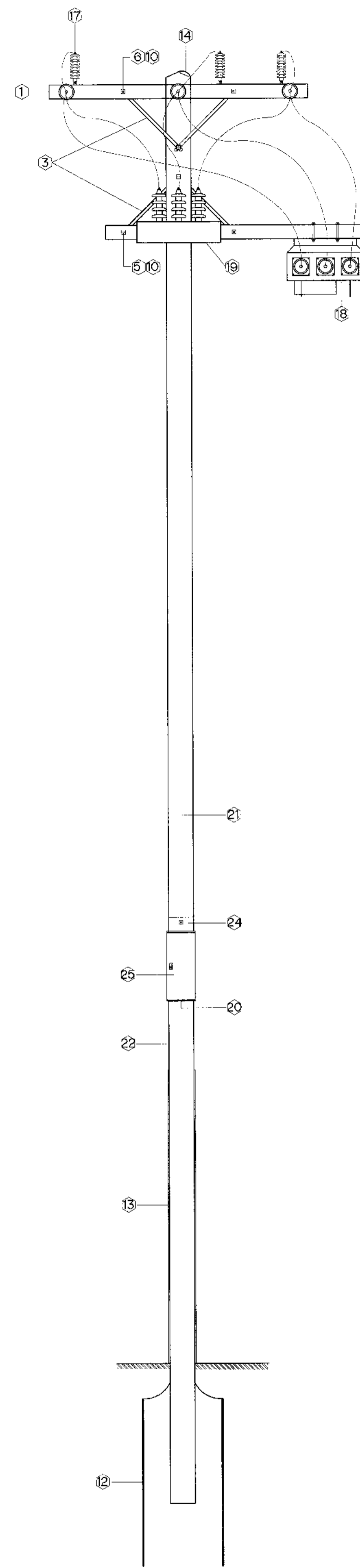
P&C MANAGEMENT CO.,LTD.		Department of Alternative Energy Development and Efficiency MINISTRY OF ENERGY	
DESIGNED <i>[Signature]</i>	21/11/64	REVIEWED <i>[Signature]</i>	
DRAWN <i>[Signature]</i>		RECOMMENDED <i>[Signature]</i>	
CHECKED <i>[Signature]</i>	21/11/64	APPROVED <i>[Signature]</i>	
PROJECT MANAGER		DATE	
CONSULTANTS		DEDE	
DRAWING NO. KLP-TS-06		SHEET NO. 107 OF 110	

NO.	DATE	REVISIONS	CHECKED	APPROVED
3				
2				
1				

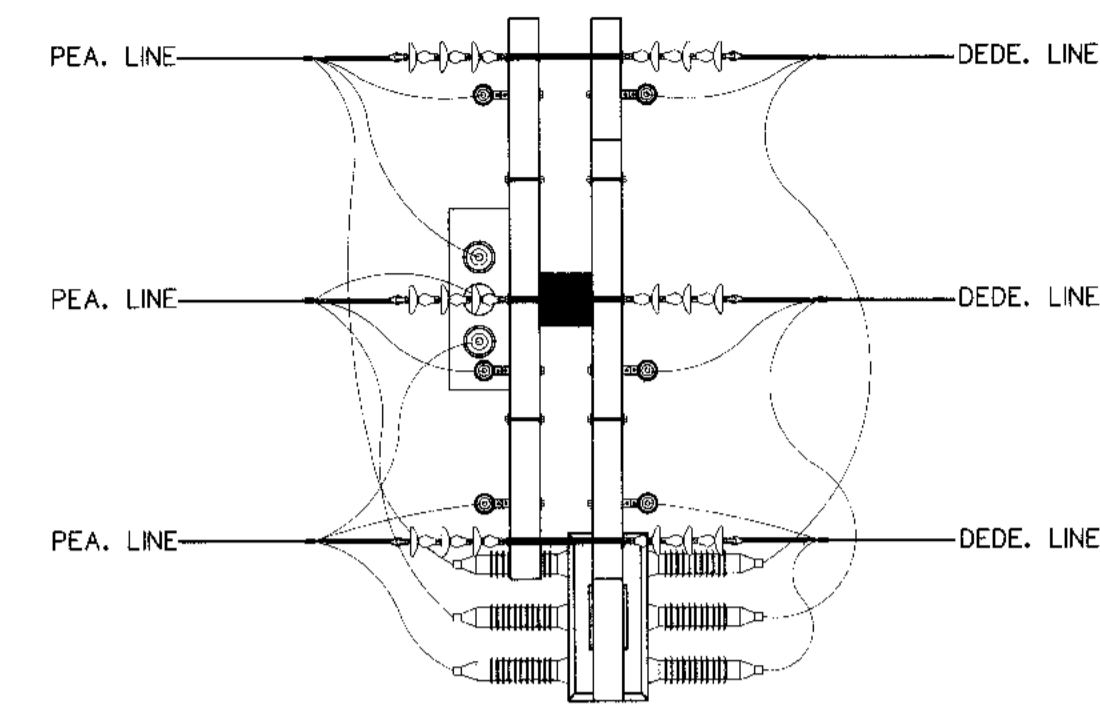


SIDE VIEW

POLE TYPE "E"



FRONT VIEW



TOP VIEW

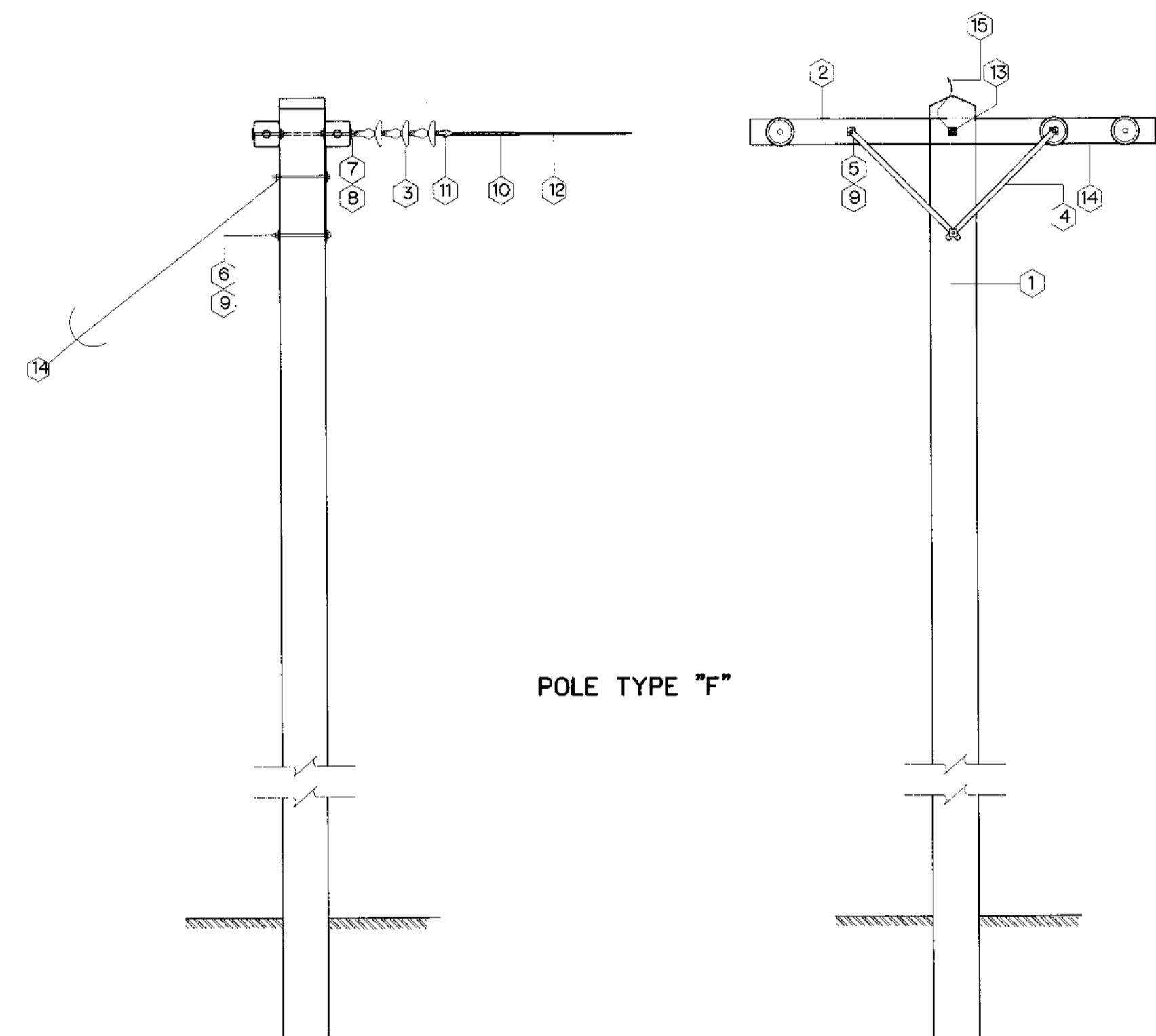
BILL OF MATERIAL POLE TYPE "E"	
ITEM	DESCRIPTION
1	CROSS ARM, SPUN, PRESTRESSED CONCRETE 120X120x2,000mm.
2	STEEL, SQUARE, 100 x 3.2 mm., 2,000mm. LONG
3	BRACE,FLAT FOR CROSS ARM 30X6X760mm.
4	INSULATOR,SUSPENSION (TYPE D TIS.354) TYPE (CLASS 52-3)
5	BOLT,MACHINE M.16X130mm. COMPLETE WITH SQUARE NUT
6	BOLT,MACHINE M.16X170mm. COMPLETE WITH SQUARE NUT
7	BOLT,MACHINE M.16X250mm. COMPLETE WITH SQUARE NUT
8	BOLT,MACHINE M.16X300mm. COMPLETE WITH SQUARE NUT
9	BOLT,DOUBLE ARMING,ROUND EYE M.16X450mm. COMPLETE WITH SQUARE NUT
10	WASHER,SQUARE,FLAT 50X50X5mm.HOLE Dia.18mm.
11	NUT,EYE M.16 DIN 582
12	ROD,GROUND, 60X60X5mm. LONG
13	CONDUIT,PVC,RIGID,DIA 20X2,500mm. TIS.216
14	CLAMP,SINGLE U-BOLT,M.8 (WIRE ROPE CLIP)
15	PREFORMED DEAD-END, FOR AERIAL CABLE 35 KV. 70 sq.mm.
16	CONNECTOR,PARALLEL GROOVE,TRIPLE BOLT,AL, 70-185 sq.mm.
17	LIGHTING ARRESTER 30KV. 10 KA.
18	LOAD BREAK SWITCH, SF6, 630A, 33KV.
19	TRANSFORMER,VOLTAGE 3PHASE, OUTDOOR,RATIO 33,000/100 V., 10 VA.
20	CONTROL CABLE
21	POLE, CONCRETE, 12 m. LONG
22	WIRE, STEEL STRANDED 50/7 sq.mm. TIS.404
23	PLATE,WOOD, SIZE 2X20X30 cm.
24	PLATE,WOOD, SIZE 2X20X80 cm.
25	CONTROL UNIT, AUTOMATIC REMOTE CONTROLLED, FOR SF6

NOTES :

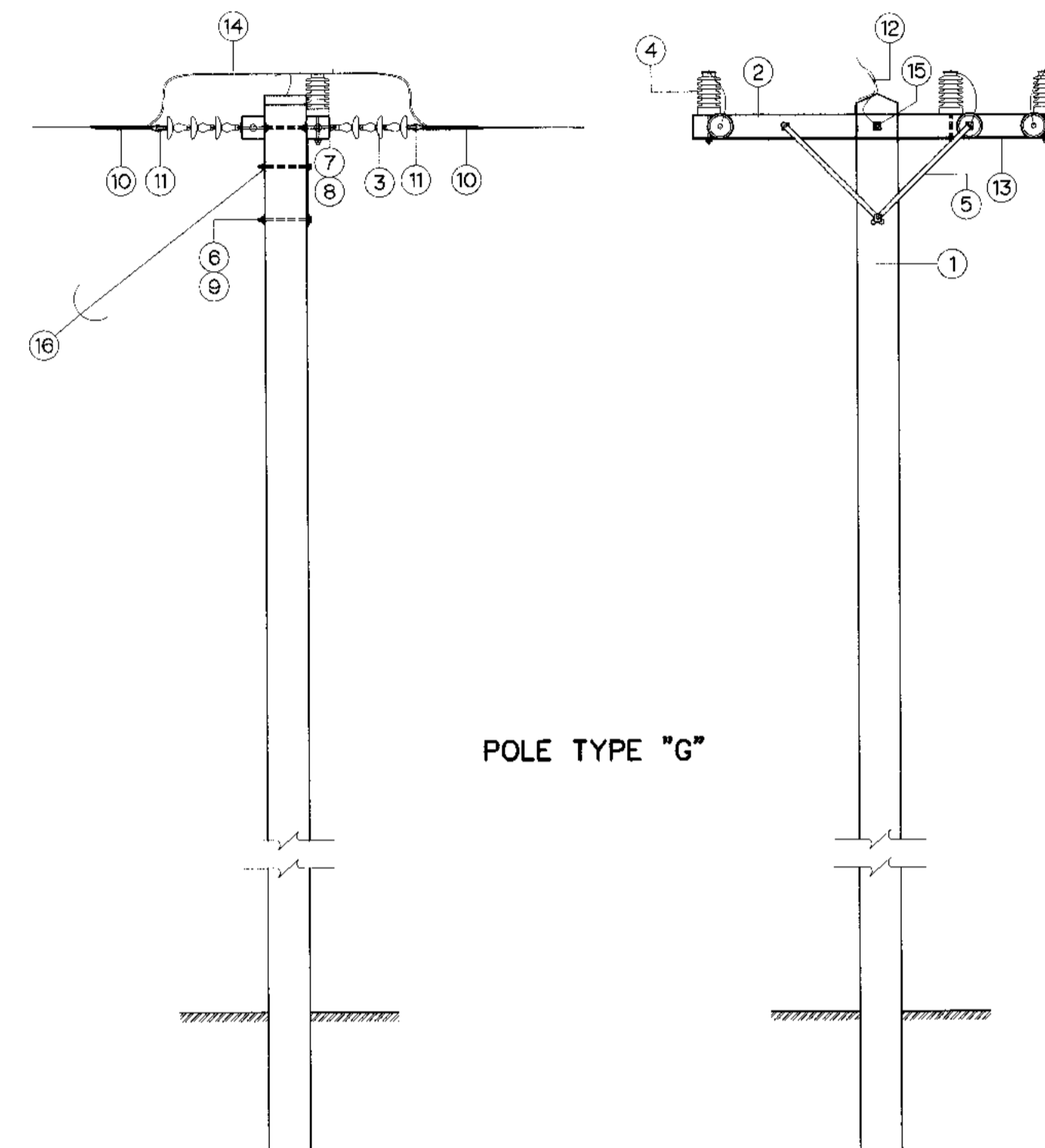
1. THIS DRAWING IS DESIGNED FOR GUIDE LINE ONLY, THE CONSTRUCTION DRAWING SHALL CONFORM TO PEA'S STANDARD AND REGULATIONS.

KINGDOM OF THAILAND Department of Alternative Energy Development and Efficiency MINISTRY OF ENERGY			
KLONG LAM PLOK HYDROPOWER PROJECT			
CIVIL WORKS AND TRANSMISSION LINE TRANSMISSION LINE POLE TYPE "E"			
P&C MANAGEMENT CO.,LTD.			
DESIGNED	<i>[Signature]</i>	27/11/604	SUBMITTED
DRAWN	<i>[Signature]</i>		RECOMMENDED
CHECKED	<i>[Signature]</i>	27/11/604	APPROVED
NO. DATE REVISIONS CHECKED APPROVED		DRAWING NO. SHEET NO. KLP-TS-07 108 OF 110	

3				
2				
1				
NO.	DATE	REVISIONS	CHECKED	APPROVED
CONSULTANTS		DEDE		



POLE TYPE "F"



POLE TYPE "G"

BILL OF MATERIAL POLE TYPE "F"	
ITEM	DESCRIPTION
1	POLE CONCRETE 12.0 M. LONG
2	CROSSARM, SPUN PRESTRESSED CONCRETE, 120X120X2,000mm.
3	INSULATOR, SUSPENSION TYPE, TIS 354, TYPE A (CLASS 52-3)
4	BRACE, FLAT FOR CROSS ARM 30X6X760 mm.
5	BOLT, MACHINE, M16X200mm.
6	BOLT, MACHINE, M16X200mm.
7	BOLT, DOUBLE ARMING, ROUND EYE, M16X450mm.
8	NUT, EYE, M16, DIN 582
9	WASHER, SQUARE, FLAT, 52X52X4.5mm, HOLE Dia. 18mm, TIS 258
10	PREFORMED DEAD-END FOR AERIAL CABLE 70sq.mm.
11	CLEVIS, THIMBLE, FOR PREFORM DEAD-END
12	AERIAL CABLE 70sq.mm. 35kV.
13	WIRE STEEL STRANDED 50/7 DIN 48201
14	GUY (STEEL STANDARD WIRE 95 Sq.mm.)
15	CLAMP, SINGLE U-BOLT, M8

BILL OF MATERIAL POLE TYPE "G"	
ITEM	DESCRIPTION
1	POLE CONCRETE 12.0 M. LONG
2	CROSSARM, SPUN PRESTRESSED CONCRETE, 120X120X2,000mm.
3	INSULATOR, SUSPENSION TYPE, TIS 354, TYPE A (CLASS 52-3)
4	INSULATOR LINE POST TYPE ANSI C 29.7 CLASS 57-3L
5	BRACE, FLAT FOR CROSS ARM 30X6X760 mm.
6	BOLT, MACHINE, M16X200mm.
7	BOLT, DOUBLE ARMING, ROUND EYE, M16X450mm.
8	NUT, EYE, M16, DIN 582
9	WASHER, SQUARE, FLAT, 52X52X4.5mm, HOLE Dia. 18mm, TIS 258
10	PREFORMED DEAD-END FOR AERIAL CABLE 70sq.mm.
11	CLEVIS, THIMBLE, FOR PREFORM DEAD-END
12	CLAMP SINGLE U-BOLT M 8
13	WIRE STEEL SOLID Dia. 4mm.
14	AERIAL CABLE 70sq.mm. 35kV.
15	WIRE STEEL STRANDED 50/7 DIN 48201
16	GUY (STEEL STANDARD WIRE 95 Sq.mm.)

NOTES :

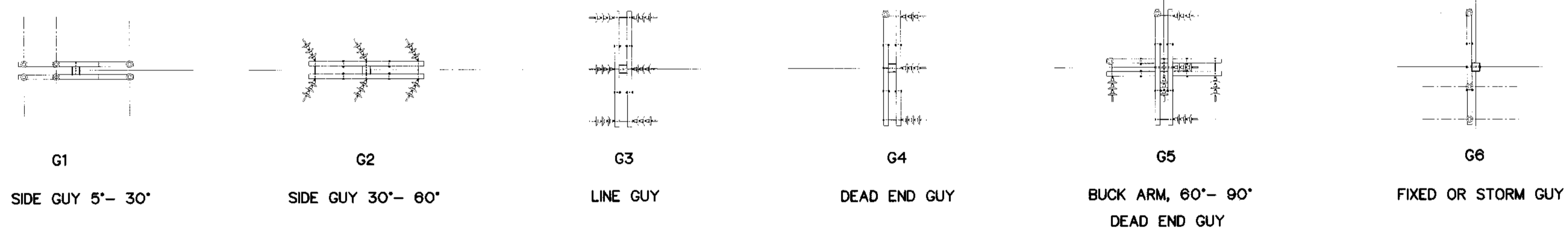
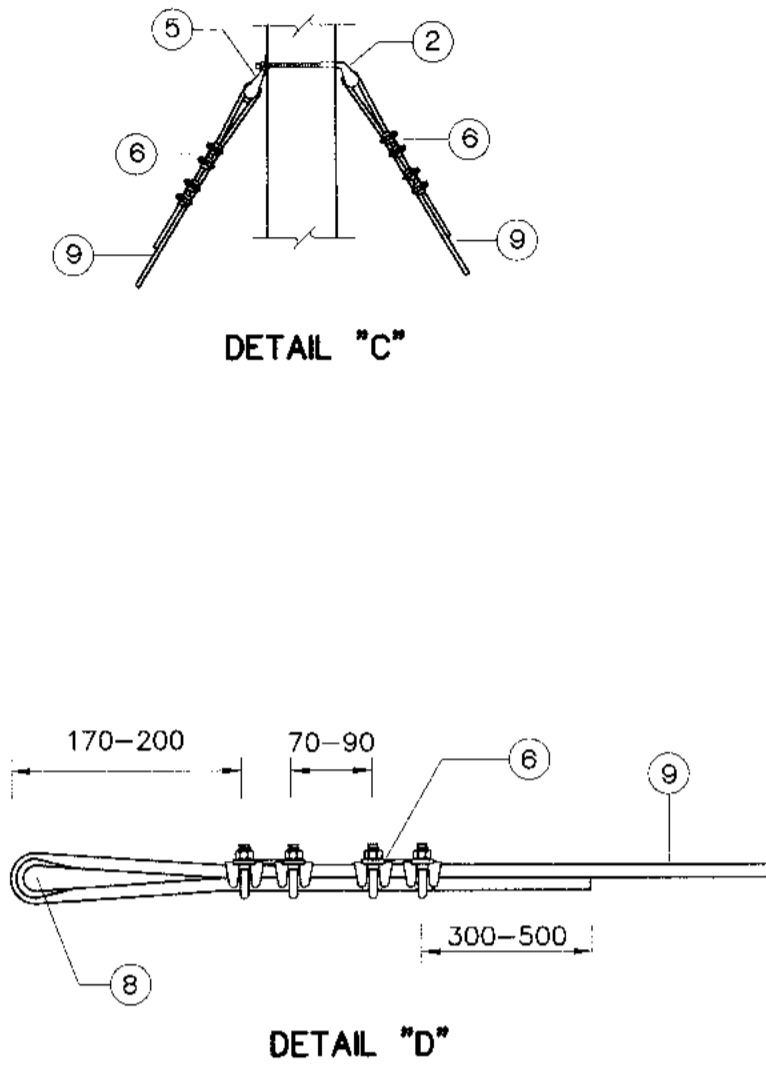
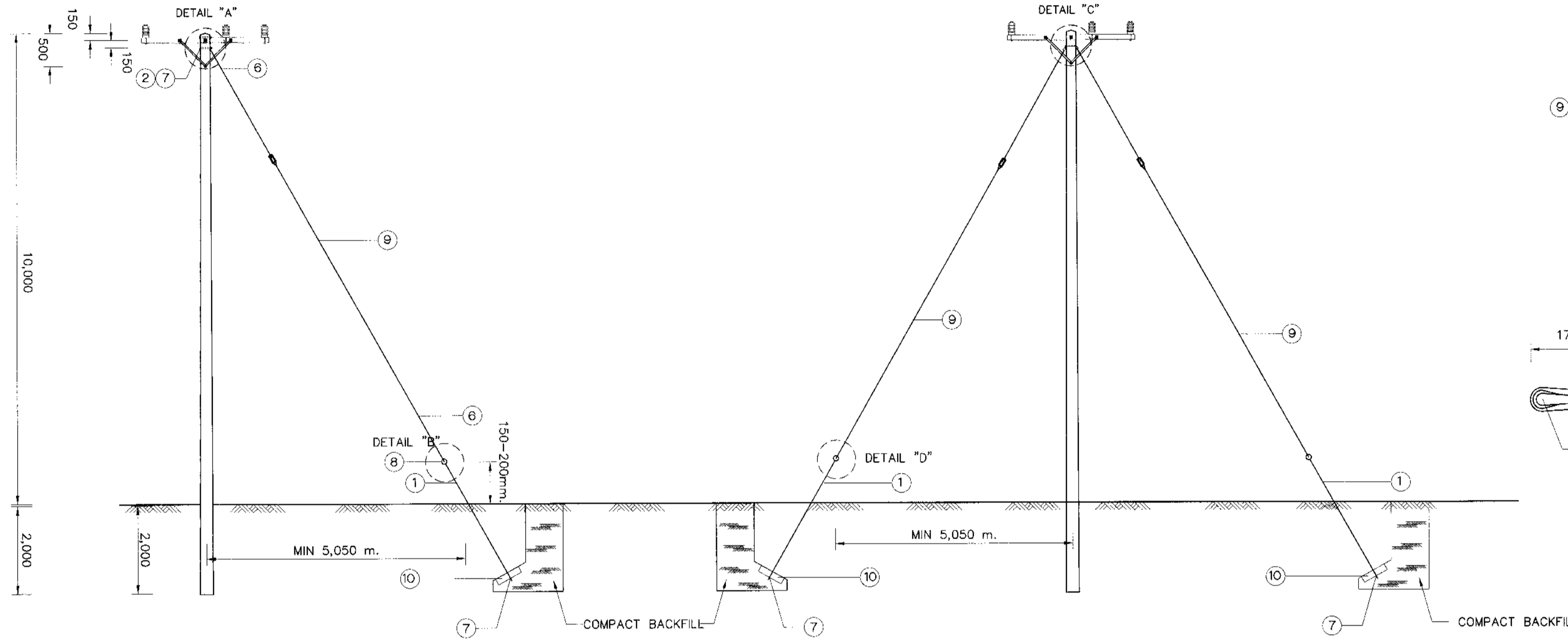
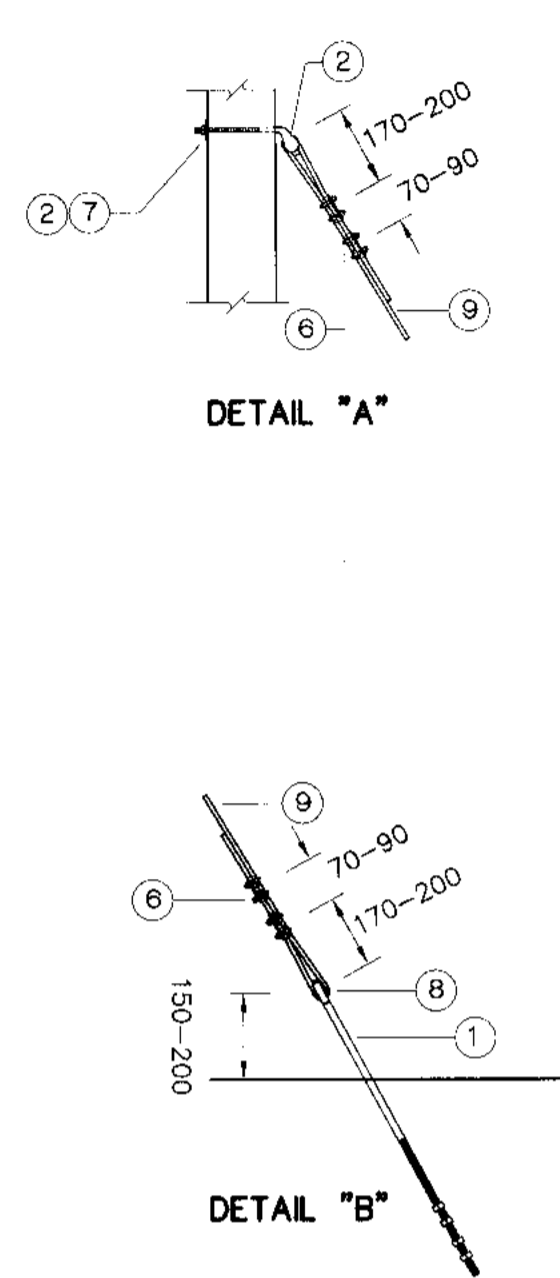
1. THIS DRAWING IS DESIGNED FOR GUIDE LINE ONLY. THE CONSTRUCTION DRAWING SHALL CONFORM TO PEA'S STANDARD AND REGULATIONS.

<p>KINGDOM OF THAILAND Department of Alternative Energy Development and Efficiency MINISTRY OF ENERGY</p>	
<p>KLONG LAM PLOK HYDROPOWER PROJECT</p>	
<p>CIVIL WORKS AND TRANSMISSION LINE TRANSMISSION LINE POLE TYPE "F" AND "G"</p>	
<p>P&C MANAGEMENT CO., LTD.</p>	<p>Department of Alternative Energy Development and Efficiency MINISTRY OF ENERGY</p>
DESIGNED <i>[Signature]</i> 2/W1.604	REVIEWED <i>[Signature]</i>
DRAWN <i>[Signature]</i>	RECOMMENDED <i>[Signature]</i>
CHECKED <i>[Signature]</i> 2/W1.604	APPROVED <i>[Signature]</i>
PROJECT MANAGER <i>[Signature]</i>	DATE 08/03/2558
CONSULTANTS	DEDE
DRAWING NO. KLP-TS-08	SHEET NO. 109 OF 110

NO.	DATE	REVISIONS	CHECKED	APPROVED
3				
2				
1				

METHOD OF SINGLE ANCHOR GUY

METHOD OF DOUBLE ANCHOR GUY



BILL OF MATERIAL FOR ANCHOR GUY							
ITEM	DESCRIPTION	REQ'D					
		G1	G2	G3	G4	G5	G6
1	ANCHOR ROD, M. 16 x 2,000 mm. COMPLETE WITH SQUARE NUT	1	1	2	1	2	4
2	BOLT, SINGLE STRANDED EYE 45° M. 16 x 250 mm. COMPLETE WITH SQUARE NUT	1	1	1	1	2	2
3	BOLT, SINGLE STRANDED EYE 30° M. 16 x 250 mm. COMPLETE WITH SQUARE NUT	-	1	-	1	2	-
4	BOLT, DOUBLE ARMING, ROUND EYE, M. 16 x 200 mm. COMPLETE WITH SQUARE NUT	-	-	-	-	-	-
5	STRAND EYE SINGLE ANGLE 45°	-	-	1	-	-	2
6	CLAMP, DOUBLE U-BOLT, M. 16 mm.	4	8	8	8	16	16
7	WASHER, SQUARE FLAT 50 x 50 x 5 mm. HOLE Ø18 mm.	2	2	2	4	6	4
8	GUY, THIMBLE, FOR STEEL STRANDED WIRE 50 Sq.mm.	1	2	2	2	4	4
9	STEEL STRANDED WIRE 50 Sq.mm.	15 m.	35 m.	30 m.	35 m.	70 m.	60 m.
10	CONCRETE ANCHOR 550 x 550 x 180 mm.	1	1	2	2	2	4
11	STRAIN INSULATOR CLASS 54-4	1	1	2	2	2	4

NOTES :
1. THIS DRAWING IS DESIGNED FOR GUIDE LINE ONLY, THE CONSTRUCTION DRAWING SHALL CONFORM TO PEA'S STANDARD AND REGULATIONS.

<p>KINGDOM OF THAILAND Department of Alternative Energy Development and Efficiency MINISTRY OF ENERGY</p>	
<p>KLONG LAM PLOK HYDROPOWER PROJECT</p>	
<p>CIVIL WORKS AND TRANSMISSION LINE TRANSMISSION LINE TYPE OF ANCHOR GUY</p>	
<p>P&C MANAGEMENT CO.,LTD.</p>	<p>Department of Alternative Energy Development and Efficiency MINISTRY OF ENERGY</p>
DESIGNED <i>[Signature]</i> 08/03/2559	REVIEWED <i>[Signature]</i>
DRAWN <i>[Signature]</i>	RECOMMENDED <i>[Signature]</i>
CHECKED <i>[Signature]</i> 08/03/2559	APPROVED <i>[Signature]</i>
PROJECT MANAGER	DATE
CONSULTANTS	DEDE
DRAWING NO. KLP-TS-09	SHEET NO. 110 of 110

3				
2				
1				
NO.	DATE	REVISIONS	CHECKED	APPROVED